

- ★ Special front panel cover to protect 1/8 DIN digital panel meter
- ★ 전면 패널 커버 (96 × 48mm 용) 형식
- ★ 방진, 방수 커버 (IP66 대응)

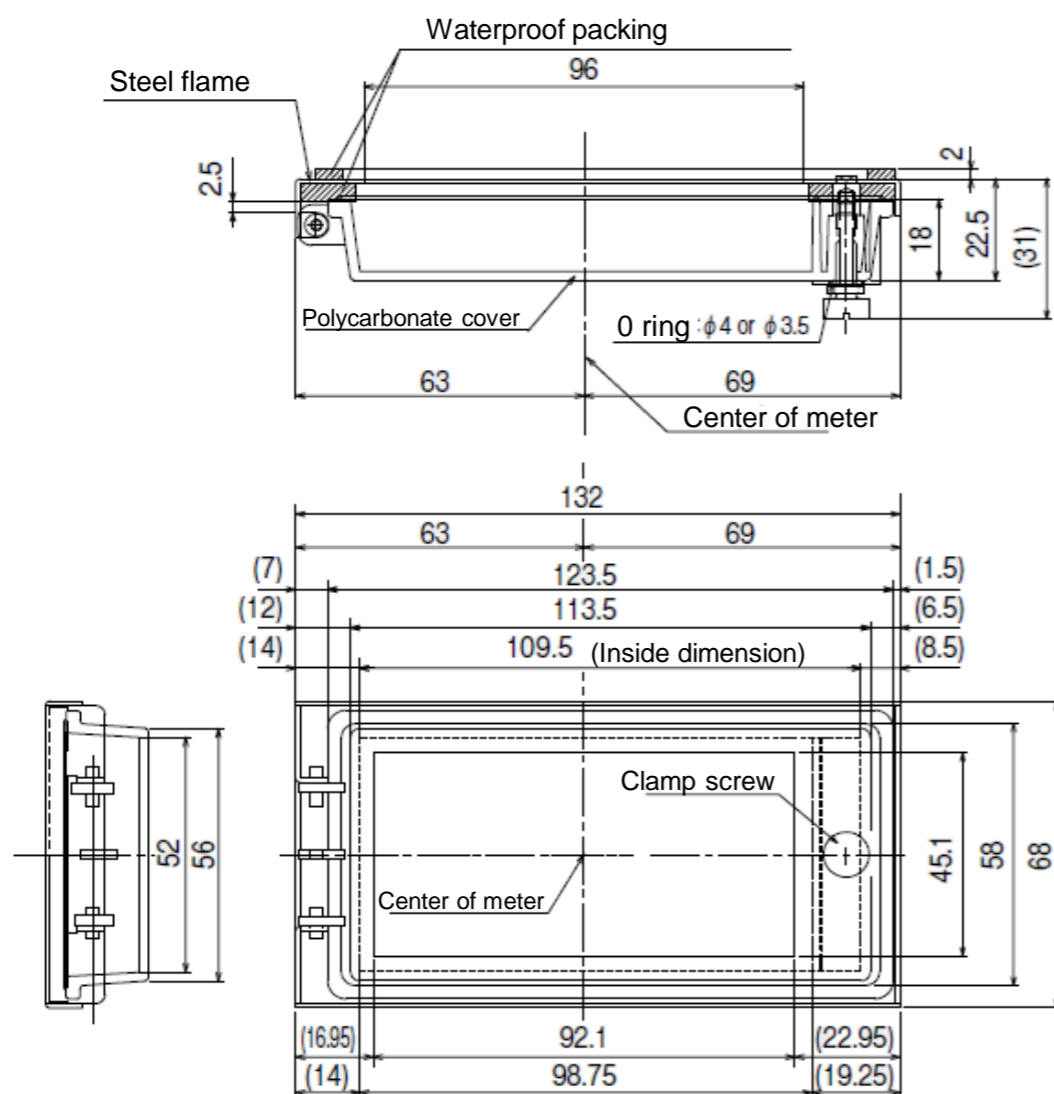
Ordering code

WP-3

Specifications

Material	Cover : Polycarbonate Flame : Steel
Compatible standards	IP66 rating
Panel size	48×96mm
Compatible products	WPM, AS- 101, AT501, ASG- 158, A1000/5000/6000/9000 AM-123/147/756, AMH-148/763 AP-101/501B/502A/520A/540/560 AC-116B/911, AI-105A, AL-501A/512 기타 96 X 48mm 사이즈 indicator

Dimensions



Unit : mm

* Specification is subject to change without notice