



Wire-type Displacement Transducers

DTPA-A

NEW

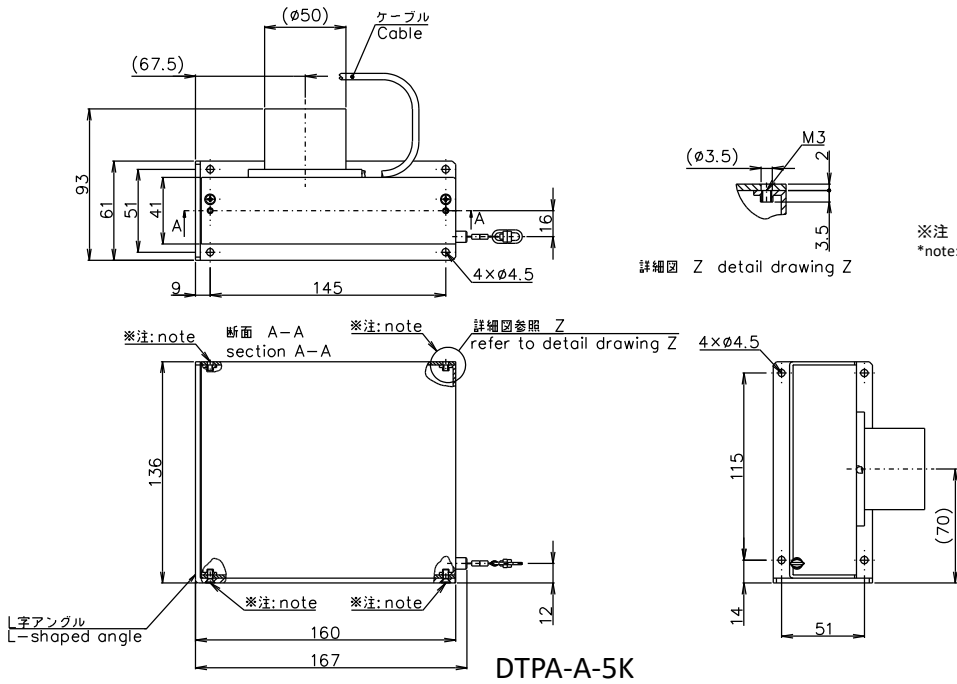
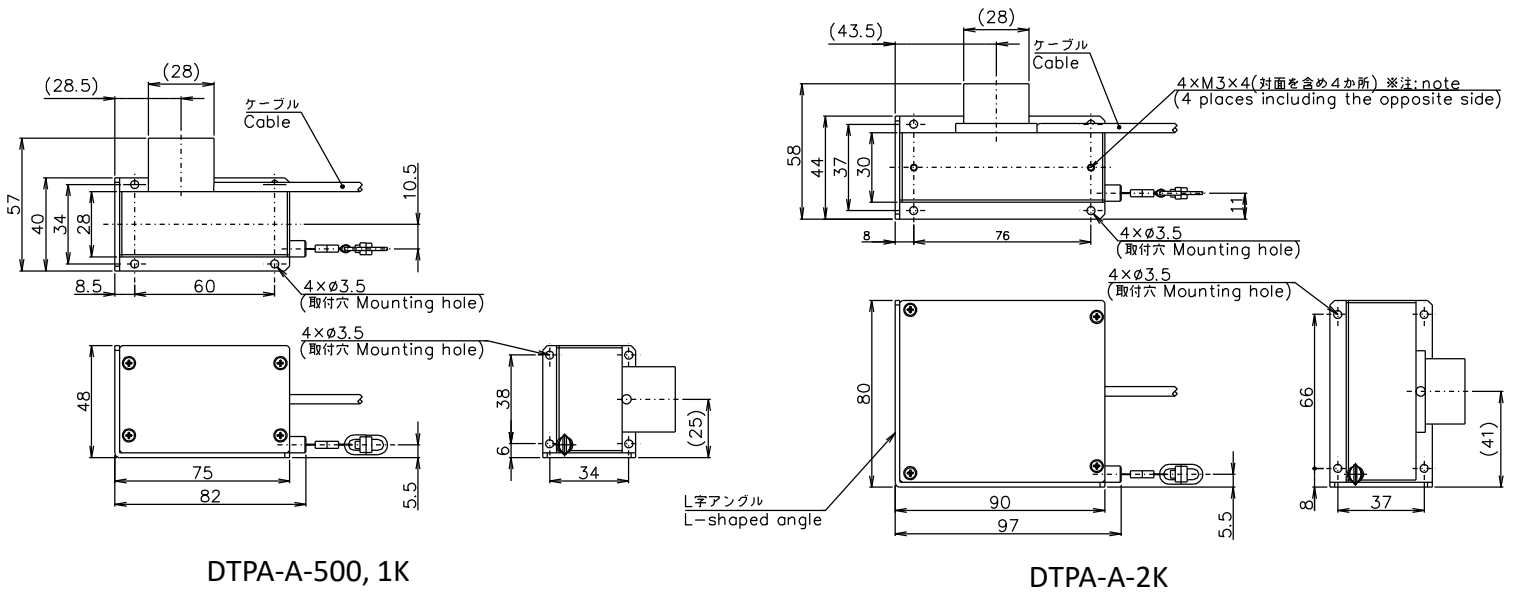
Being a wire winding type, enables measuring long displacement

- Hardly kinking wire
- High response (1000 mm/s or equivalent)
- A new wire-winding mechanism enables less trouble
- Compact, lightweight
- Constant measuring force
- Can be combined with strain instruments

Specifications

Model	DTPA-A-500	DTPA-A-1K	DTPA-A-2K	DTPA-A-5K
Performance				
Rated Capacity	500 mm	1000 mm	2000 mm	5000 m
Nonlinearity	Within $\pm 0.3\%$ RO			
Hysteresis	Within $\pm 0.3\%$ RO			
Repeatability	0.1% RO or less		0.2% RO or less	
Rated Output	2.5 mV/V $\pm 10\%$			
Environmental Characteristics				
Safe Temperature	-10 to 80°C (Non-condensing)			
Compensated Temperature	0 to 70°C (Non-condensing)			
Temperature Effect on Zero	Within $\pm 0.05\%$ RO/°C			
Temperature Effect on Output	Within $\pm 0.05\%/^{\circ}\text{C}$			
Electrical Characteristics				
Safe Excitation	10 VAC or DC			
Recommended Excitation	1 to 5 VAC or DC			
Input Resistance	350 $\Omega \pm 1\%$			
Output Resistance	260 $\Omega \pm 3\%$	205 $\Omega \pm 3\%$		
Cable	4-conductor (0.08 mm ²) chloroprene shielded cable, 4 mm diameter by 3 m long, terminated with a connector plug (PRC03-12A10-7M) (Shield wire is not connected to the case.)			
Mechanical Properties				
Safe Overloads	103% (When fixing the 10-mm wire)			
Response Speed	Max. 1000 mm/s			
	(May emit a spike noise when the speed is 10 mm/s or less.)	(May emit a spike noise when the speed is 20 mm/s or less.)		
Measuring Force	Approx. 2 N (Max. 2.8 N)			
Service Life	20000 times or more			
Wire	Diameter: 0.45 mm Material: Stainless steel			
Weight	Approx. 220 g (Excluding cable)	Approx. 370 g (Excluding cable)		Approx. 1.2 kg (Excluding cable)
Degree of Protection	IP40 (IEC 60529)			
Compliance	Directive 2011/65/EU (RoHS)			

Dimensions



※注 : 既存のL字アングルを用いずに取り付けの場合に使用。
 *note: This screw holes are used if the sensor is set without L-shaped angle.

Kyowa Electronic Instruments Co.,Ltd.

Overseas Department:
 3-5-1, Chofugaoka, Chofu, Tokyo 182-8520 Japan
 TEL; +81-42-489-7220 FAX: +81-42-488-1122
 E-mail: kyowaoverseas.hp@d1.kyowa-ei.co.jp
 Website: http://www.kyowa-ei.com/



Safety Precautions

Be sure to observe the safety precautions given in the instruction manual, in order to ensure correct and safe operation.

- Specifications are subject to change without notice for improvement.



JQA-0821
 JQA-EM4824

Manufacturer's Representative