

CDSB-TB

Truck Weighing Load Cell
3, 5, 10, 15 tf



FEATURES

- Robust design and easy installation
- Strong against shock or side force

Material

- Nickel plated steel

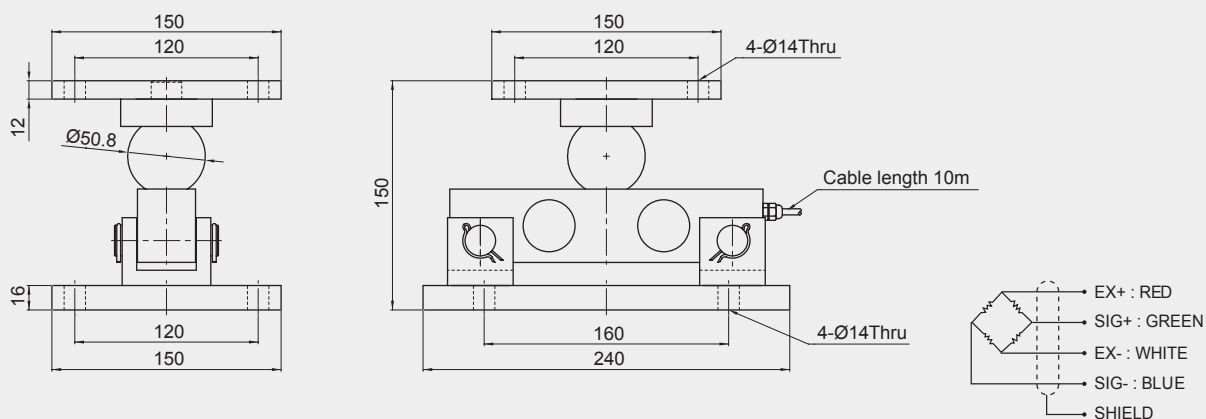
Cable

- Braided shield 4-wire round cable with PVC - jacket

Order Code
CDSB-xxTB xx = 3,5,10,15

DIMENSIONS

Unit : mm



SPECIFICATIONS

Max. Capacity		tf	3, 5, 10, 15 tf
Rated output		mV/V	2.0 ± 0.004
Zero balance		mV/V	0.0 ± 0.03
Combined error		%RO	0.03
Repeatability		%RO	0.02
Creep (30min.)		%RO	0.03
Temperature effect on	Zero value	%RO/10°C	0.03
	Output value	%RO/10°C	0.015
Excitation	Recommended	V	10
	Maximum	V	15
Resistance	Input	Ω	800 ± 50
	Output	Ω	700 ± 7
	Insulation	M Ω	$> 2,000 @ 50V DC$
Compensated temp. range		°C	-10 ~ +40
Operating temp. range		°C	-20 ~ +80