

# 110ES-WL-HP

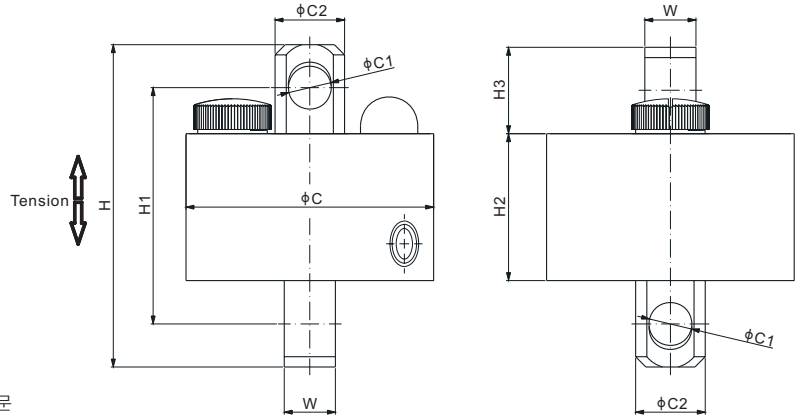


## Stainless Steel, Wireless Tension Link



CE RoHS

\* 표시기는 별도로 주문



TENSION LINKS

### DIMENSIONS

RATED CAPACITY	C	C1	C2	H	H1	H2	H3	W	SUGGESTED SHACKLE
<b>t/mm</b>									
1	121	13	25	130.4	104	70	30.7	15.5	TBX-2t
2.5	121	15	25	130.4	104	70	30.7	17	TBX-2.5t
5	121	21	34	157.5	115.5	71.8	43.5	25	TBX-5t or RBXS-5t
10	133	31.5	50	197	141.5	72	63.3	40	TBX-12.5t
20	159	42	68	245	171	72.5	87	50	TBX-21t
30	205	45	80	295	206	92	99.5	52	TBX-30t
50	205	63	109	368	250	105	130	79	TBX-50t
100	273	90	152	496	332	146.5	174	112	TBX-110t
<b>Kib/inches (conversion of above dimensions)</b>									
2	4.76	0.51	0.98	5.13	4.10	2.76	1.21	0.61	TBX-2t
5	4.76	0.59	0.98	5.13	4.10	2.76	1.21	0.67	TBX-2.5t
10	4.76	0.83	1.34	6.20	4.55	2.83	1.71	0.98	TBX-5t or RBXS-5t
20	5.24	1.24	1.97	7.76	5.57	2.83	2.49	1.57	TBX-12.5t
40	6.26	1.65	2.68	9.65	6.73	2.85	3.43	1.97	TBX-21t
60	8.07	1.77	3.15	11.61	8.11	3.62	3.92	2.05	TBX-30t
100	8.07	2.48	4.29	14.49	9.84	4.13	5.12	3.11	TBX-50t
200	10.75	3.54	5.98	19.53	13.07	5.77	6.85	4.41	TBX-110t

### SPECIFICATIONS

<b>Division</b>	1t-10t: 1:5 000	<b>Transmission Range</b>	최저 출력 설정 시 최대 30m, 최고 출력 설정 시 최대 75m까지 설치 가능합니다(장애물이 없어야 함).	
	20t: 1:4 000			
	30t: 1:3 000		<b>Operation Time</b>	Up to 100 hours at 20°C and at the lowest power set up
	50t-100t: 1:5 000		<b>Rechargeable Battery Type</b>	3 x AA Alkaline batteries -10
<b>Max. Safety Load</b>	200%F.S.	<b>Operating Temp.</b>	C to 40° ° C / 14 F t° o 104 F°	
<b>Ultimate Load</b>	400%F.S.	<b>Operating Humidity</b>	<85% RH under 20 C [68° ° F]	
<b>Enclosure</b>	Stainless Steel Casting	<b>IP Rating</b>	IP68 / 69K	

### PART NUMBER

Rated Capacity	Frequency	Part No.	Self Weight (kg) (Batteries included)
1t	433 MHz	110ES-1t-WL01-HP	1.7
	915 MHz	110ES-1t-WL02-HP	1.7
2.5t	433 MHz	110ES-2.5t-WL01-HP	1.7
	915 MHz	110ES-2.5t-WL02-HP	1.7
5t	433 MHz	110ES-5t-WL01-HP	2.1
	915 MHz	110ES-5t-WL02-HP	2.1
10t	433 MHz	110ES-10t-WL01-HP	3.5
	915 MHz	110ES-10t-WL02-HP	3.5

### PART NUMBER

Rated Capacity	Frequency	Part No.	Self Weight (kg) (Batteries included)
20t	433 MHz	110ES-20t-WL01-HP	6.6
	915 MHz	110ES-20t-WL02-HP	6.6
30t	433 MHz	110ES-30t-WL01-HP	10.5
	915 MHz	110ES-30t-WL02-HP	10.5
50t	433 MHz	110ES-50t-WL01-HP	21
	915 MHz	110ES-50t-WL02-HP	21
100t	433 MHz	110ES-100t-WL01-HP	53
	915 MHz	110ES-100t-WL02-HP	53

## Product Datasheet Disclaimer

### **Information Changes:**

All product specifications, statements, information, and data (collectively, the “Information”) in this catalog or made available elsewhere by ANYLOAD are subject to change. Customers must verify the applicability of the Information at the time of order placement.

### **Accuracy and Reliability:**

While all Information is believed to be accurate and reliable, it is presented without guarantee, warranty, or responsibility of any kind, expressed or implied.

### **Laboratory Conditions:**

Data listed in the datasheet is produced within controlled laboratory settings and may not be reproducible without exact replication of all metrological conditions. Users must validate that a product with the described properties is suitable for their applications.

### **Interchangeability:**

Statements of interchangeability with other manufacturers are based on ANYLOAD’s knowledge at the time of publication and are not intended to constitute any warranty concerning the substitutability of an ANYLOAD product with one made by another Manufacturer.

### **Warranty Voidance:**

Any use of the product outside of specifications or any storage or installation inconsistent with product guidance voids any warranty.

### **Intended Use:**

The information is intended for use only by customers who have the requisite experience and capability to determine the correct products for their application. ANYLOAD provides technical advice without obligation or liability for the advice given or results obtained.

### **Component Failures:**

Although ANYLOAD designs and manufactures its products to stringent quality and safety standards, isolated component failures may still occur. Applications requiring high reliability or safety should employ suitable designs or safeguards to ensure that component failure does not result in personal injury or property damage.

### **High-Risk Applications:**

Unless specifically agreed to in writing, ANYLOAD has not tested or certified its products, services, or deliverables for use in high-risk applications (e.g., medical life support, nuclear facilities, weapon systems). ANYLOAD makes no assurances that the products are suitable for high-risk uses. Under no circumstances does ANYLOAD warrant or guarantee suitability for any customer design or manufacturing process.

Contact authorized ANYLOAD personnel for special terms and conditions regarding products designed for specific safety requirements.

### **Safety Measures:**

All product-related warnings, cautions, and notes must be observed. Customers should not assume that all safety measures are indicated or that other measures may not be required.

---

### **California Proposition 65:**

**⚠ WARNING:** Some products manufactured or distributed by ANYLOAD may contain trace amounts of chemicals known to the State of California to cause cancer, birth defects, or other reproductive harm. These substances are present in minimal quantities and are typically encapsulated within our products. This warning is provided to enable you to make informed decisions as a consumer.