

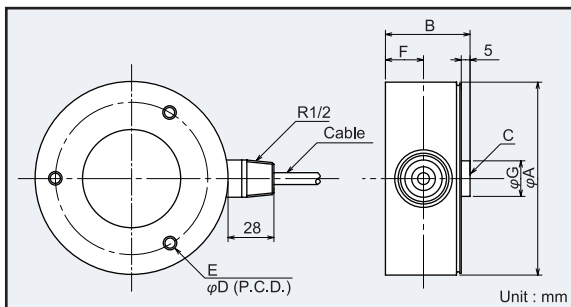
CMP1 Series - Accurate Compression Type Load Cell



Features

- Accurate low-profile load cell for compression service with all stainless steel construction.
- Suitable for use in a corrosive environment.

Outlines



< Optional fittings >

- Expansion plate EPA-* • Bearing plate BPA-*
- Mounting attachment with slide stop mechanism
- Flexible stop type FCA-CMP1*-S, Check rod type CCA-CMP1*-, Steel ball type SCA-CMP1*(-S)
- Mounting Plate MPA-* with mounting bolt

Specifications

Rated capacity : 2.452 kN {250 kgf} ~ 196.1 kN {20 tf}
 Safe overload : 150 %R.C.
 Ultimated overload : 200 %R.C.
 Rated output : 2 mV/V±0.005 mV/V
 (CMP1-250K : 1 mV/V±0.005 mV/V)
 Non-linearity : 0.05 %R.O.
 Hysteresis : 0.05 %R.O.
 Repeatability : 0.05 %R.O.
 Recommended excitation : 12 V or less
 Maximum excitation : 18 V
 Zero balance : ±0.02 mV/V
 Input resistance : 350 Ω±3.5 Ω
 Output resistance : 350 Ω±5 Ω
 Insulation resistance : 2 000 MΩ or more (DC50 V) (between bridge and body)
 Compensated temp. range : - 10 °C ~ 70 °C
 Safe temp. range : - 20 °C ~ 80 °C
 Temp. effect on zero balance : 0.05 %R.O./10 °C
 (CMP1-250K : 0.1 %R.O./10 °C)
 Temp. effect on output : 0.1 %LOAD/10 °C
 Cable : φ7, 4-cores 10 m shielded cable directly attached with Y-type terminal lugs.
 Protection grade : IP68
 Element material : Stainless steel
 Durability : 10⁶ times at rated capacity.

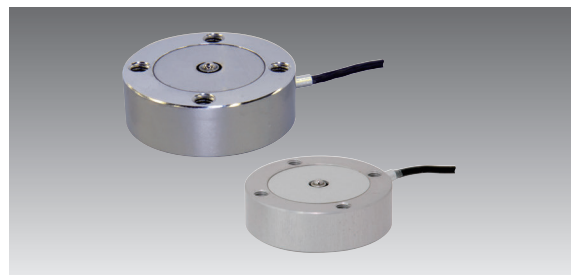
< Accessories >

- Inspection data sheet 1 copy

< Dimension table >

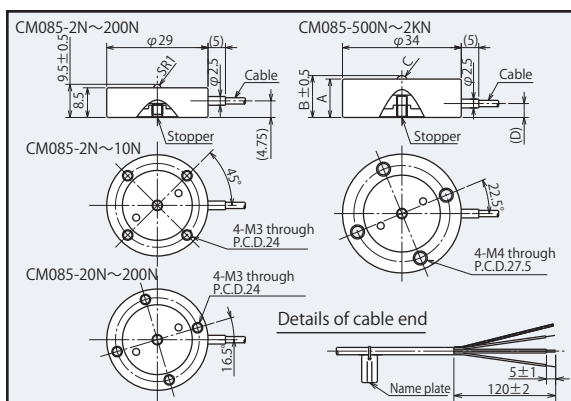
(Unit : mm)											
Parts No.	Rated Capacity	φA	B	C	φD	E	F	φG	Displacement	Natural Freq. (Hz)	Weight (Approx.kg)
CMP1-250K	2.452 kN {250 kgf}	88	40	SR150	72	3-M6x1 depth 6	16	18	0.03	1 900	1.8
CMP1-500K	4.903 kN {500 kgf}								0.06	2 600	
CMP1-1T	9.807 kN {1 tf}								4 000		
CMP1-2T	19.61 kN {2 tf}								9 000		
CMP1-5T	49.03 kN {5 tf}								12 000		
CMP1-10T	98.07 kN {10 tf}	88	45	SR150	72	3-M6x1depth 6	18	18	0.11	12 000	2.0
CMP1-20T	196.1 kN {20 tf}	114	50	SR230	90	3-M8x1.25 depth 6	22.5	21	0.14	12 000	3.7

CM085 Series - Compact Size Compression Type Load Cell



- Available for mechanical stopper and fixing with the screw.
- Low profile compact design

Outlines



Specifications

Rated capacity : 2 N ~ 2 kN
 Safe overload : 150 %R.C.
 Ultimated overload : 300 %R.C.
 Rated output : 1.0 mV/V±0.5 mV/V
 Non-linearity : 0.08 %R.O. (2 N ~ 200 N),
 0.10 %R.O. (500 N, 1 kN), 0.15 %R.O. (2 kN)
 Hysteresis : 0.08 %R.O. (2 N ~ 200 N),
 0.10 %R.O. (500 N, 1 kN), 0.15 %R.O. (2 kN)
 Repeatability : 0.08 %R.O. (2 N ~ 200 N),
 0.10 %R.O. (500 N, 1 kN), 0.15 %R.O. (2 kN)
 Recommended excitation : 6 V or less
 Zero balance : ±0.25 mV/V
 Input resistance : 750 Ω±10 Ω
 Output resistance : 750 Ω±5 Ω
 Compensated temp. range : 0 °C ~ 60 °C
 Safe temp. range : - 10 °C ~ 70 °C
 Temp. effect on zero balance : 0.3 %R.O./10 °C
 Temp. effect on output : 0.1 %LOAD/10 °C
 Cable : φ1.8, 4-cores 10 m shielded cable directly attached with Y-type terminal lugs.
 Protection grade : IP40
 Element material : Aluminium alloy (CM085-2N ~ 200N)
 Stainless steel (CM085-500N ~ 2KN)
 Durability : 10⁶ times at rated capacity.

< Dimension table >

(Unit : mm)											
Parts No.	Rated Capacity	A	B	C	D	Displacement	Natural Freq. (Hz)	Weight (Approx.g)			
CM085-2N	2 N	See outlines				0.02	3 900	15			
CM085-5N	5 N						5 800				
CM085-10N	10 N						8 500				
CM085-20N	20 N						10 700				
CM085-50N	50 N						15 900				
CM085-100N	100 N	11	12	SR1.5	4	0.013	20 500	35			
CM085-200N	200 N						25 600				
CM085-500N	500 N						18 000				
CM085-1kN	1 kN						22 600				
CM085-2kN	2 kN						24 900				